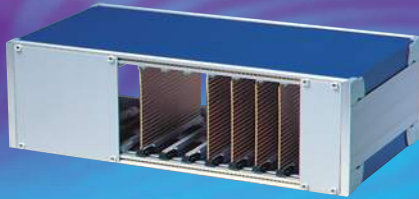


Desktop enclosures





Desktop enclosures



profi set 264

page 151

- universal enclosure system, usable as
 - desktop enclosure
 - 19" plug-in unit
 - 19" subrack (upon request)
- compact size with maximum space at minimal exterior dimensions
- protection system IP 40/20

apra line

page 163

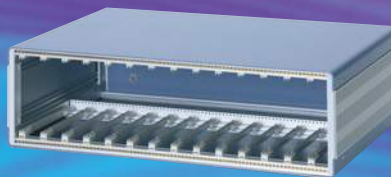
- proven quality
- integrated recessed handle
- removable cover panels
- also available as 19" enclosure
- protection system IP 30/20

Other desktop enclosures can be found at our website:



Tamago

- patented apra-lock locking system
- cover plates can be removed without tools
- also available as 19" enclosure
- flexible ventilation
- protection system IP 40/20



profi set 266

- compact construction
- big installation space with minimal exterior dimensions
- removable cover parts
- ventilated or not ventilated
- decorative aluminium extrusion side panels
- protection system IP 30/20



profi set 267

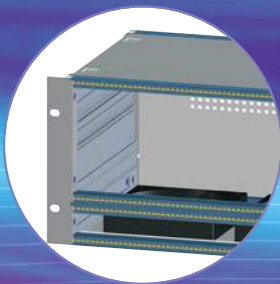
- can be used as a desktop/plug-in enclosure and subrack
- optionally cover panels, handles or 19" fixings can be mounted
- compact size
- protection system IP 30/20





Variable in shape, colour and function!

profi set 264

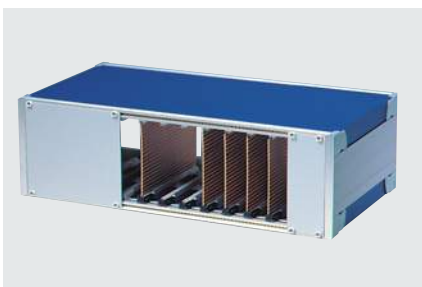


We configure your individual system solution like for ex. a 4 U enclosure with 3+1 U assembling and active ventilation!

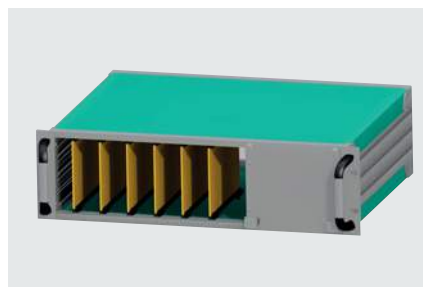


profi set 264 enclosure system

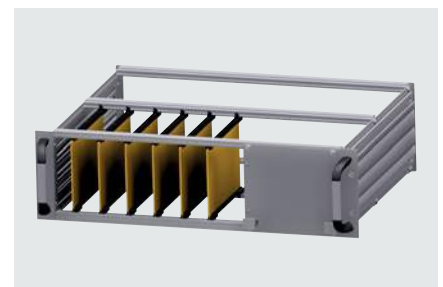
- universal enclosure system usable as
 - desktop enclosure
 - 19" plug-in unit
 - 19" subrack (on request)
- compact construction with maximum space at minimal exterior dimensions
- decorative side panels of aluminium-extruded profiles
- stackable
- easy detachable top and bottom panels in case of maintain intervention or electronic installation
- module rails with depth grids of 10 mm adjustable
- ventilated or closed type
- EMC version on request
- protection system IP 40/20
- installation dimensions acc. to IEC 60297-3-101
- exterior dimensions acc. to IEC 60297-3-100 (plug-in unit and subrack)



desktop enclosure profi-set 264



19" plug-in unit profi-set 264



19" subrack profi-set 264 (on request)



Desktop enclosure profi set 264

Application:

takes plug-in devices acc. to IEC 60297-3-101, PCB and individually composed electronic components

Finish:

top/ bottom shell:

RAL 7035 light grey

side panels:

RAL 7001 silver grey, inside chromated

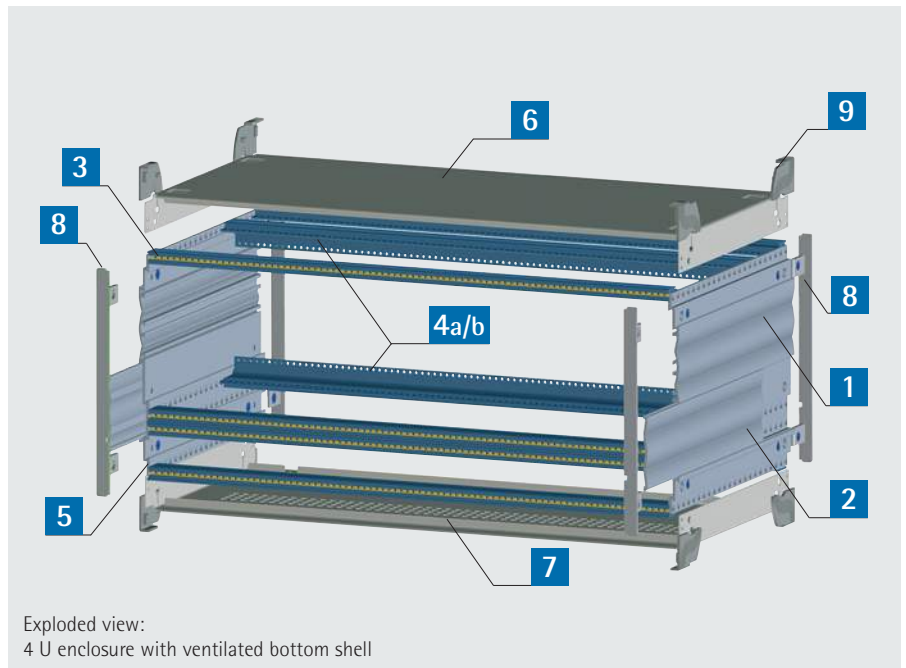
Degree of protection:

IP 40: closed type

IP 20: ventilated type

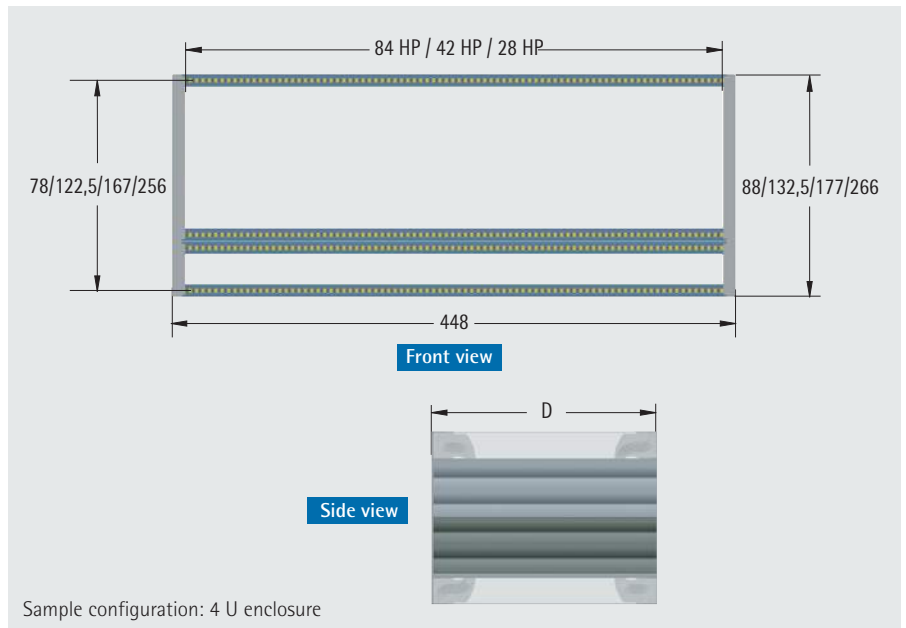
Delivery:

kit form, unmounted



Exploded view:
4 U enclosure with ventilated bottom shell

	Description	3 U	4 U	3 U BUS
1	Side panel	2	2	2
2	Cover panel	-	2	-
3	Module rail	4	6	4
4a	Module rail with integrated installation rail	2	2	-
4b	BUS module rail	-	-	2
5	Threaded strips	2	4	2+2
6	Top shell without ventilation	1	1	1
7	Bottom shell with or without ventilation	1	1	1
8	Cover bracket	4	4	4
9	Cover	8	8	8
10	Assembly material incl. 4 enclosure feet	1	1	1
		Set	Set	Set



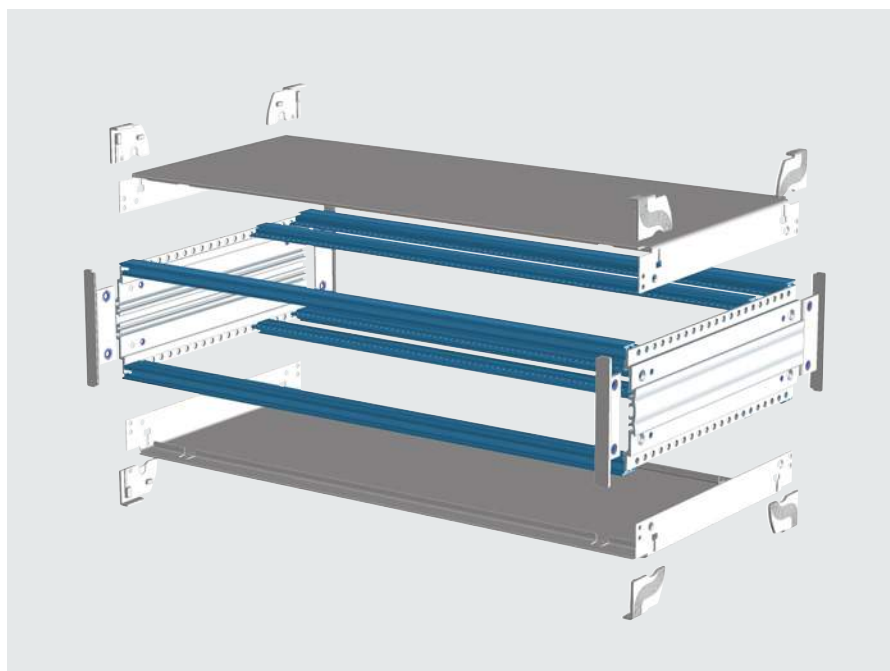
Sample configuration: 4 U enclosure



Desktop enclosure profi set 264 2 U

Delivery

Item	Pc.	Description
1	2	Side panel
2	4	Module rail
3	2	BUS module rail
4	2+2	Threaded strips
5	1	Top shell without ventilation
6	1	Bottom shell with or without ventilation
7	4	Cover bracket
8	8	Cover
9	1 Set	Assembly material incl. 4 enclosure feet



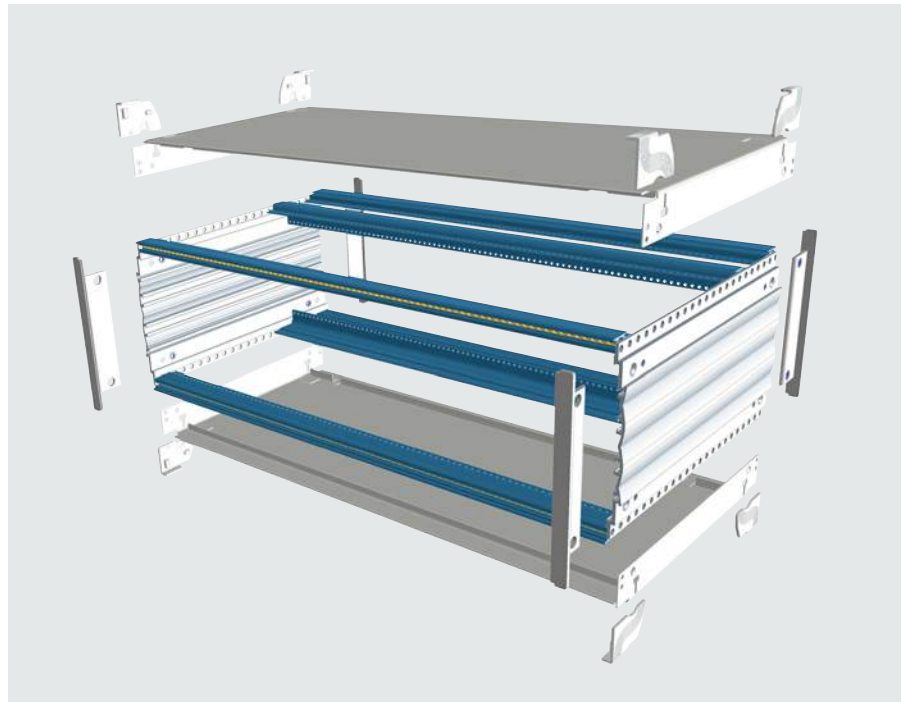
HP	D mm	Feature	Order no.
84	231	without ventilation	264-211-10
42			264-231-10
28			264-241-10
84		with ventilated bottom shell	264-211-20
42			264-231-20
28			264-241-20
84	271	without ventilation	264-212-10
42			264-232-10
28			264-242-10
84		with ventilated bottom shell	264-212-20
42			264-232-20
28			264-242-20
84	311	without ventilation	264-213-10
42			264-233-10
28			264-243-10
84		with ventilated bottom shell	264-213-20
42			264-233-20
28			264-243-20
84	351	without ventilation	264-214-10
42			264-234-10
28			264-244-10
84		with ventilated bottom shell	264-214-20
42			264-234-20
28			264-244-20



Desktop enclosure profi set 264 3 U

Delivery

Item	Pc.	Description
1	2	Side panel
2	4	Module rail
3	2	Module rail with integrated installation rail
4	2+2	Threaded strips M 2,5
5	1	Top shell without ventilation
6	1	Bottom shell with or without ventilation
7	4	Cover bracket
8	8	Cover
9	1 Set	Assembly material incl. 4 enclosure feet



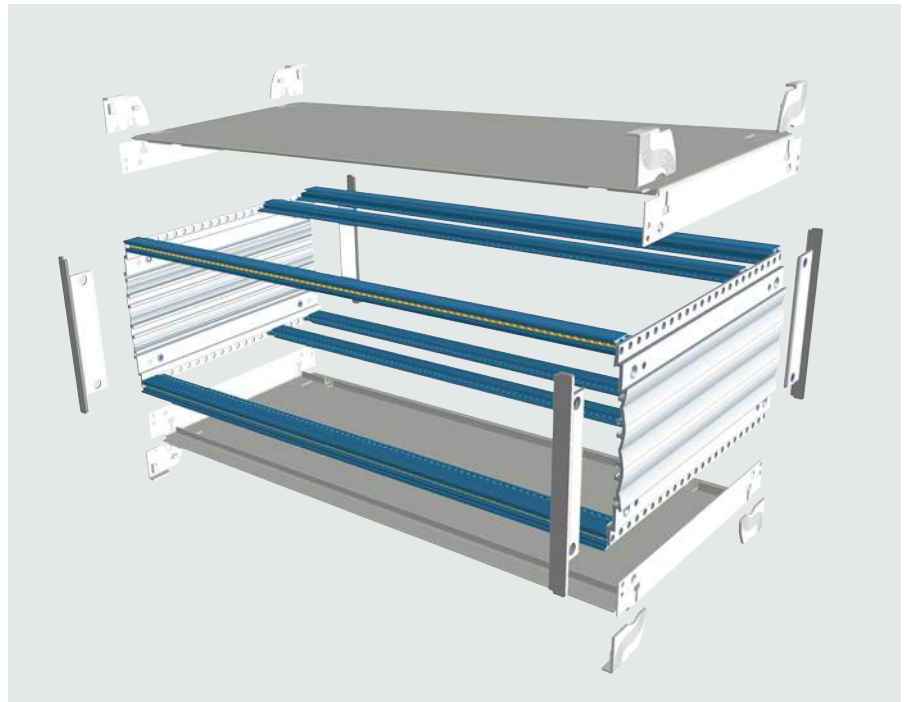
HP	D mm	Feature	Order no.
84	231	without ventilation	264-311-10
42			264-331-10
28			264-341-10
84		with ventilated bottom shell	264-311-20
42			264-331-20
28			264-341-20
84	271	without ventilation	264-312-10
42			264-332-10
28			264-342-10
84		with ventilated bottom shell	264-312-20
42			264-332-20
28			264-342-20
84	311	without ventilation	264-313-10
42			264-333-10
28			264-343-10
84		with ventilated bottom shell	264-313-20
42			264-333-20
28			264-343-20
84	351	without ventilation	264-314-10
42			264-334-10
84		with ventilated bottom shell	264-314-20
42			264-334-20



**Desktop enclosure profi set 264
3 U BUS**

Delivery

Item	Pc.	Description
1	2	Side panel
2	4	Module rail
3	2	BUS module rail
4	2+2	Threaded strips M 2,5
5	1	Top shell without ventilation
6	1	Bottom shell with or without ventilation
7	4	Cover bracket
8	8	Cover
9	1 Set	Assembly material incl. 4 enclosure feet



HP	D mm	Feature	Order no.
84	271	without ventilation	264-312-30
		with ventilated bottom shell	264-312-40
	351	without ventilation	264-314-30
		with ventilated bottom shell	264-314-40



Desktop enclosure profi set 264 4 U

Delivery

Item	Pc.	Description
1	2	Side panel
2	2	Cover panel
3	6	Module rail
4	2	Module rail with integrated installation rail
5	4	Threaded strips M 2,5
6	1	Top shell without ventilation
7	1	Bottom shell with or without ventilation
8	4	Cover bracket
9	8	Cover
10	1 Set	Assembly material incl. 4 enclosure feet



HP	D mm	Feature	Order no.
84	231	without ventilation	264-411-10
		with ventilated bottom shell	264-411-20
	271	without ventilation	264-412-10
		with ventilated bottom shell	264-412-20
	311	without ventilation	264-413-10
		with ventilated bottom shell	264-413-20
	351	without ventilation	264-414-10
		with ventilated bottom shell	264-414-20



Desktop enclosure profi set 264 6 U
double-row

Delivery

Item	Pc.	Description
1	4	Side panel
2	2	Cover panel
3	6	Module rail
4a	4	Module rail with integrated installation rail
5	4	Threaded strips M 2,5
6	1	Top shell without ventilation
7	1	Bottom shell with or without ventilation
8	4	Cover bracket
9	8	Cover
10	1 Set	Assembly material incl. 4 enclosure feet



HP	D mm	Feature	Order no.
84	231	without ventilation	264-611-10
		with ventilated bottom shell	264-611-20
	271	without ventilation	264-612-10
		with ventilated bottom shell	264-612-20
	311	without ventilation	264-613-10
		with ventilated bottom shell	264-613-20
	351	without ventilation	264-614-10
		with ventilated bottom shell	264-614-20



19" plug-in unit profi set 264

Application:

takes plug-in modules acc. to IEC 60297-3-101, further PCB boards and customised electronic components.

Finish:

top/ bottom cover: RAL 7035 light grey
side panels: RAL 7001 silver grey,
chromated interior

Degree of protection:

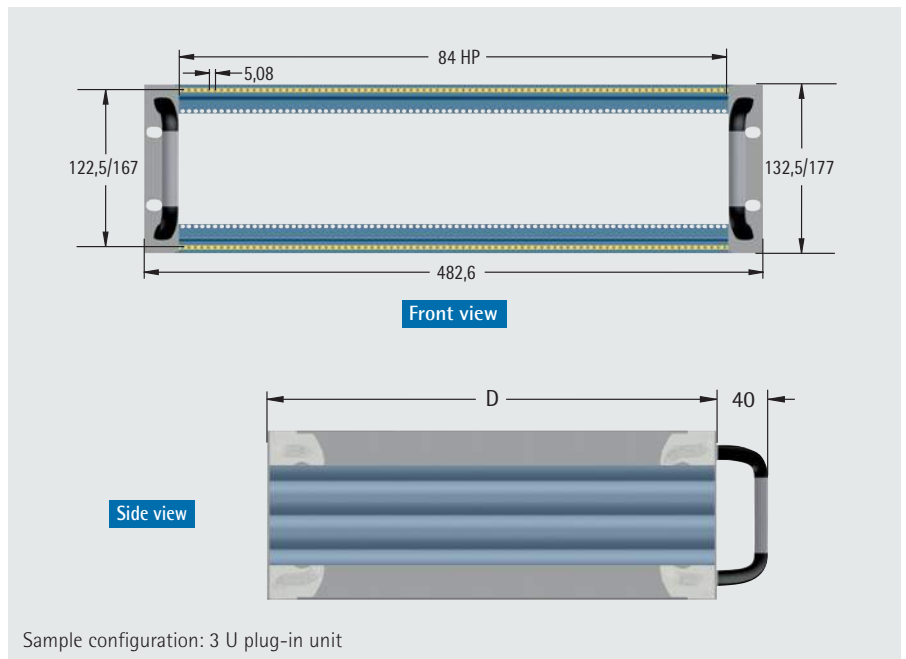
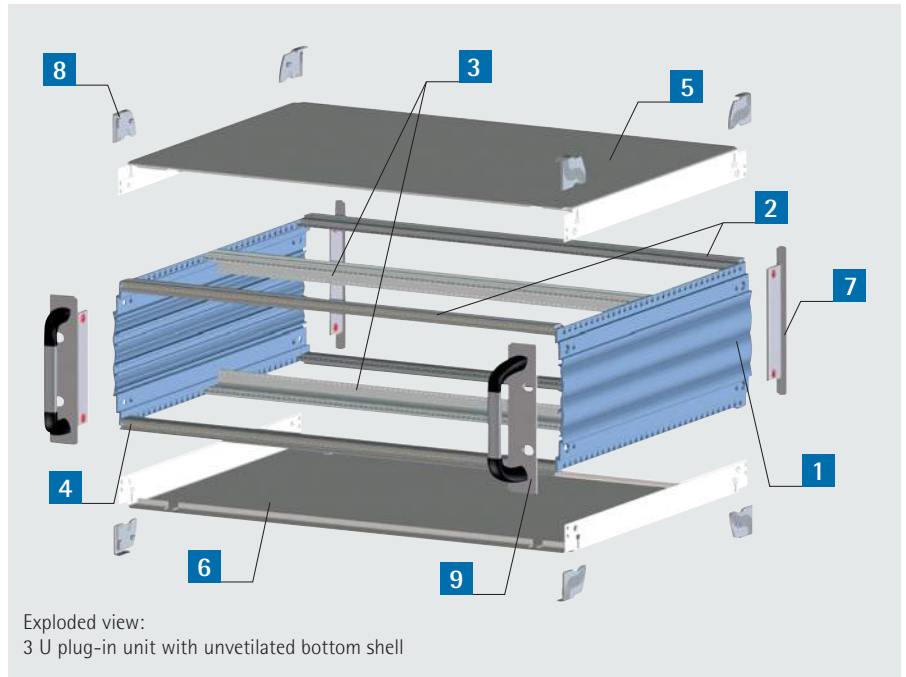
IP 40: not ventilated

IP 20: ventilated

Delivery:

kit, not assembled

Other dimensions (e.g. 63 HP) and individual colours available on request.

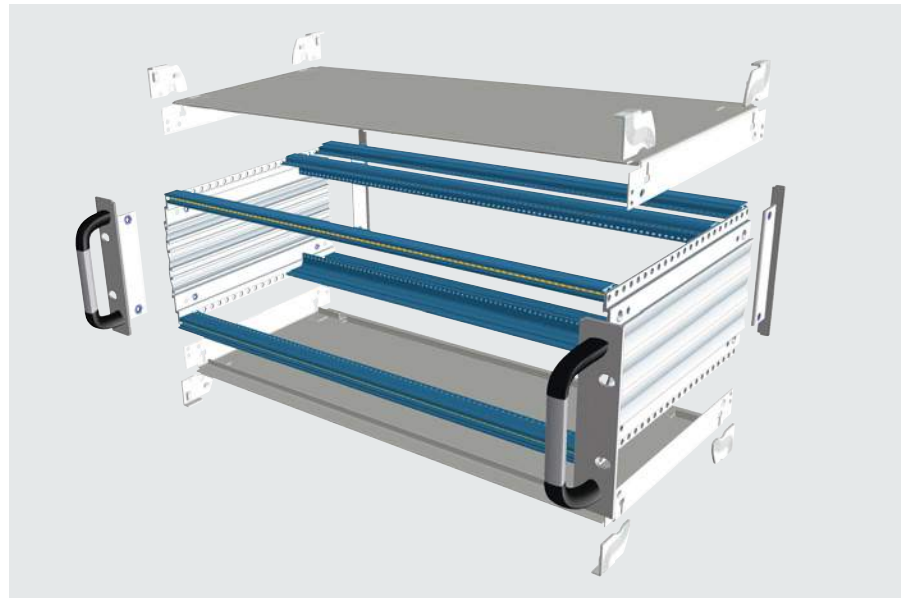




19" plug-in unit profi set 264 3 U

Delivery

Item	Pc.	Description
1	2	Side panel
2	4	Module rail
3	2	Module rail with integrated installation rail
4	2	Threaded strips M 2,5
5	1	Top shell without ventilation
6	1	Bottom shell with or without ventilation
7	2	Cover bracket
8	8	Cover
9	2	Front bracket with handle
10	1 Set	Assembly material incl. 4 enclosure feet

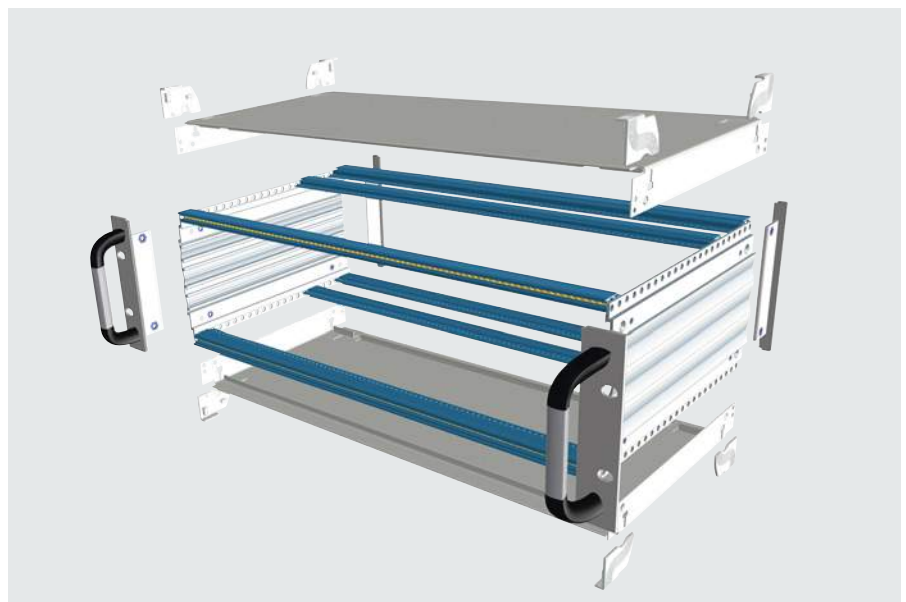


HP	D mm	Feature	Order no.
84	271	without ventilation	264-312-50
		with ventilated bottom shell	264-312-60
	351	without ventilation	264-314-50
		with ventilated bottom shell	264-314-60
	451	without ventilation	264-315-50
		with ventilated bottom shell	264-315-60

19" plug-in unit profi set 264 3 U BUS

Delivery

Item	Pc.	Description
1	2	Side panel
2	4	Module rail
3	2	BUS module rail
4	2+2	Threaded strips M 2,5
5	1	Top shell without ventilation
6	1	Bottom shell with or without ventilation
7	4	Cover bracket
8	8	Cover
9	2	Front bracket with handle
10	1 Set	Assembly material incl. 4 enclosure feet



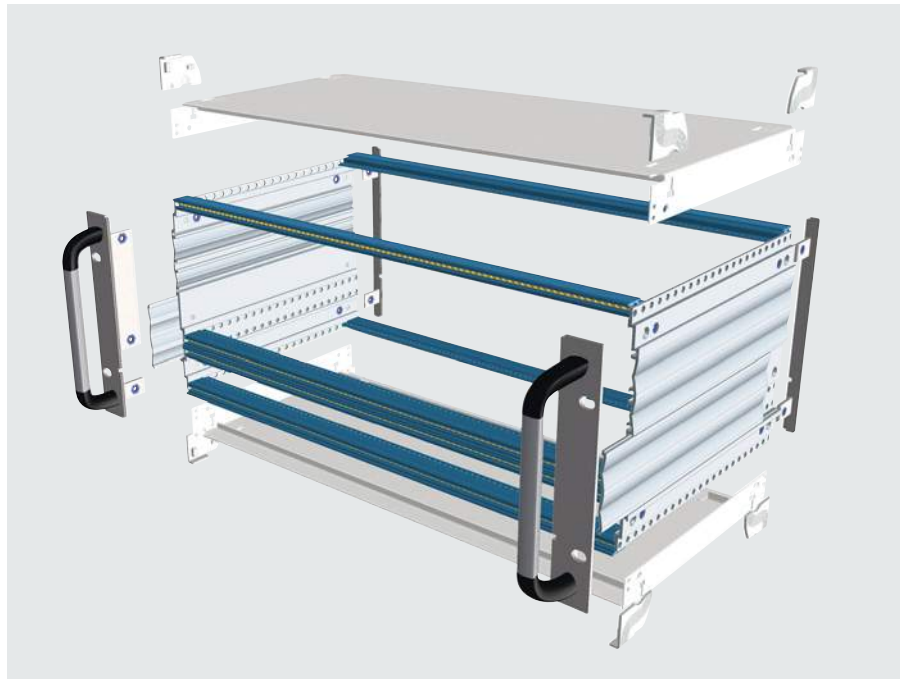
HP	D mm	Feature	Order no.
84	271	without ventilation	264-312-70
		with ventilated bottom shell	264-312-80
	351	without ventilation	264-314-70
		with ventilated bottom shell	264-314-80
	451	without ventilation	264-315-70
		with ventilated bottom shell	264-315-80



19" plug-in unit profi set 264 4 U

Delivery

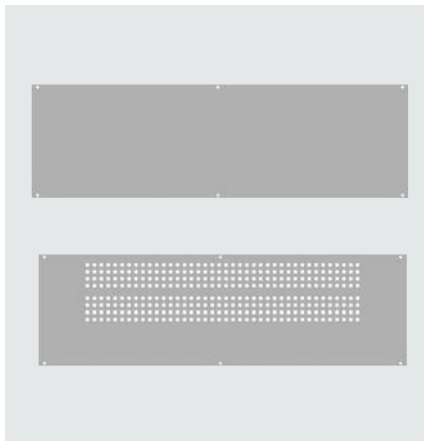
Item	Pc.	Description
1	2	Side panel
2	2	Cover panel
3	6	Module rail
4	2	Module rail with integrated installation rail
5	4	Threaded strips
6	1	Top shell without ventilation
7	1	Bottom shell with or without ventilation
8	4	Cover bracket
9		Cover
10	2	Front bracket with handle
11	1 Set	Assembly material incl. 4 enclosure feet



HP	D mm	Feature	Order no.
84	271	without ventilation	264-412-50
		with ventilated bottom shell	264-412-60
	351	without ventilation	264-414-50
		with ventilated bottom shell	264-414-60
	451	without ventilation	264-415-50
		with ventilated bottom shell	264-415-60



Rear panels



- incl. assembly material

Material:

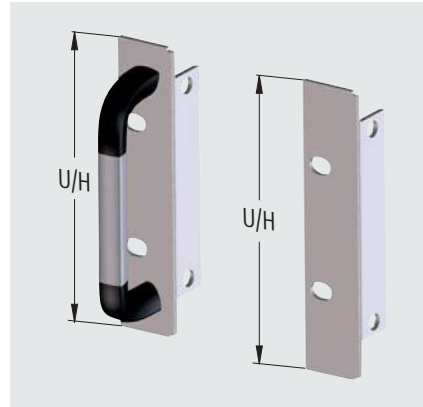
aluminium, interior chromated

Finish:

RAL 7035 light grey

HP	U	Feature	Order no.
84	2	without ventilation	264-084-42
42			264-042-42
28			264-028-42
84		ventilated	264-084-52
42			264-042-52
28			264-028-52
84	3	without ventilation	264-084-43
42			264-042-43
28			264-028-43
84		ventilated	264-084-53
42			264-042-53
28			264-028-53
84	4	without ventilation	264-084-44
42			264-042-44
28			264-028-44
84		ventilated	264-084-54
42			264-042-54
28			264-028-54
84	6	without ventilation	264-084-46
42			264-042-46
28			264-028-46
84		ventilated	264-084-56
42			264-042-56
28			264-028-56

19" front bracket with / without handle



- for expansion as 19" plug-in enclosure or subrack
- incl. assembly material
- packaging unit: 1 pair

Material:

front bracket: aluminium anodised

handle: plastics/aluminium anodised

Description	Order no.
2 U without handle	264-200-32
2 U with handle	264-200-42
3 U without handle	264-300-32
3 U with handle	264-300-42
4 U without handle	264-400-32
4 U with handle	264-400-42
6 U without handle	264-600-32
6 U with handle	264-600-42

Cover bracket with / without handle



- for the expansion as a desktop enclosure
- incl. assembly material
- packaging unit: 1 pair

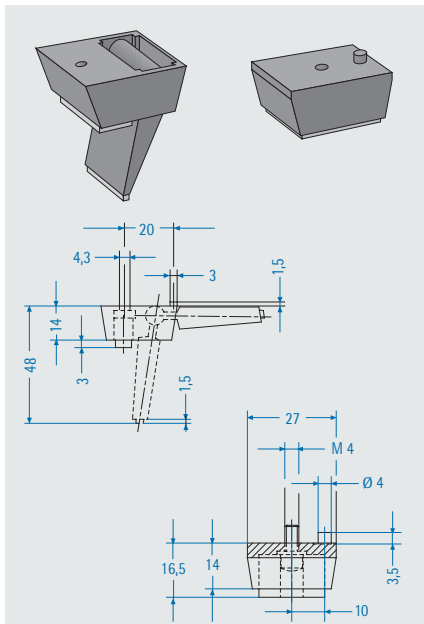
Material:

bracket and handle: aluminium anodised

Description	Order no.
2 U without handle	264-200-12
2 U with handle	264-200-22
3 U without handle	264-300-12
3 U with handle	264-300-22
4 U without handle	264-400-12
4 U with handle	264-400-22
6 U without handle	264-600-12
6 U with handle	264-600-22



Prop-up and base feet set



- corresponding bores need to be realised in the bottom shell
- set = 2 pairs

Delivery

Item	Pc.	Description
1	2	Prop-up feet
2	2	Rear base feet
3		Assembly material

Order no.
615-019

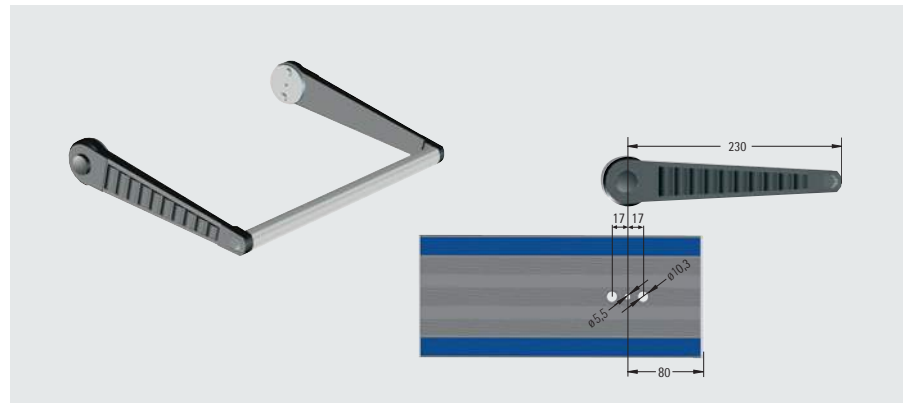
Earth conductor set



- for earth connection acc. to VDE

U	Order no.
2 / 3 / 4	264-000-10
6	264-000-11

Prop-up and carrying handle



- can be used with following enclosures series: apraLine, profi-set, Zenith, Tamago
- suitable for all 3 U and 4 U enclosures
- handle can be set 30° by pressing a button to snap it into place

Material:

handle extrusion: aluminium extrusion
metal handle, attachments, adapter: die-cast zinc

Finish:

handle extrusion: anodised
metal handle: RAL 9011 deep black
button, screw covers: plastics, black

Load capacity: 50 kg

Other finishes and widths available upon request.

For enclosure width	Order no.
42 HP	264-100-42
63 HP	264-100-63
84 HP	264-100-84

Shelf



- for individual installation of components

HP	D mm	Order no.
84	231	264-311-96
	271	264-311-97
	311	264-311-98
	351	264-311-99



Universal

apra Line



Sample configuration

Desktop enclosure apraLine

- impressive design with elegant lines and two-tone surface
- ergonomic recessed handles standard
- easy-to-maintain and cost-saving design principle: all cover plates can be easily removed from the assembled enclosure
- also available as 19" enclosure (see Chapter 19" Enclosure Systems, p. 25)
- side panels with universal mounting grid of 10 mm create universal mounting combinations for various card depths and additional models of module rails
- optimum heat dissipation through ventilated bottom and rear panels
- IP 20/30 protection system
- installation dimensions acc. to IEC 60297-3-101

Matching front panels

see p. 128

Matching plug-in modules

see p. 134



Desktop enclosure apraLine

Application:

holds Eurocards and modules acc. to IEC 60297-3-101 as well as customised electronic components.

Construction:

together with the identical front and rear frame the side panels form a sturdy and solid enclosure. Ergonomic recessed handles and grooves for using mounting nuts and universal mounting grids of 10mm are built into the recessed extrusions. Top and bottom shells and rear panel are made of aluminium and are available as ventilated or closed versions.

Finish:

cover panels: RAL 7035 light grey
frame and side panels:
RAL 7001 silver grey

Degree of protection:

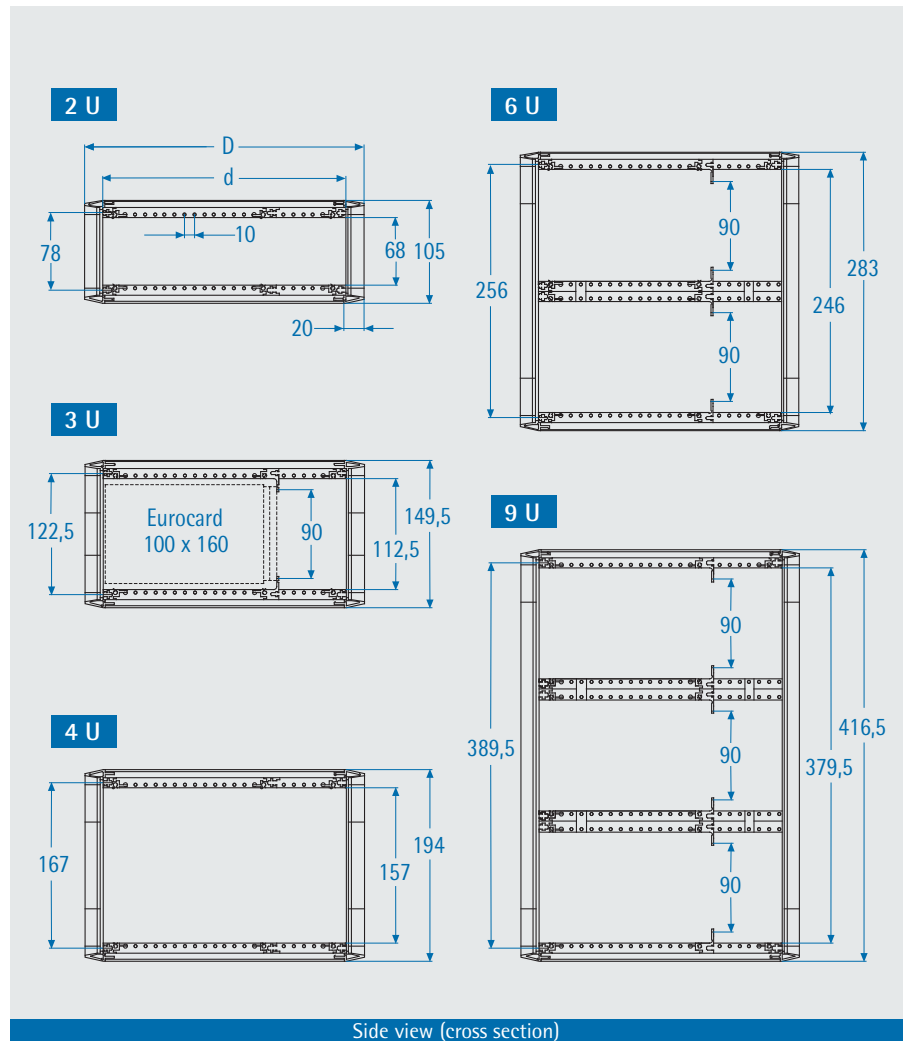
IP 30: closed type
IP 20: ventilated type

Delivery:

assembled

Standard

installation dimensions acc. to IEC 60297-3-101



Side view (cross section)

Available enclosure sizes

U	HP	W mm	D ₁ mm	D ₂ mm	D ₃ mm	D ₄ mm	D ₅ mm
2	84	478	262	302	-	-	-
	63	371					
	42	264					
	28	193					
3	84	478	262	302	342	382	482
	63	371					
	42	264					
	28	193					
4	84	478	262	302	342	382	482
	63	371					
	42	264					
	28	193					
6 double row	84	478	262	302	342	382	482
	63	371					
	42	264					
	28	193					
9	84	478	262	302	342	382	482

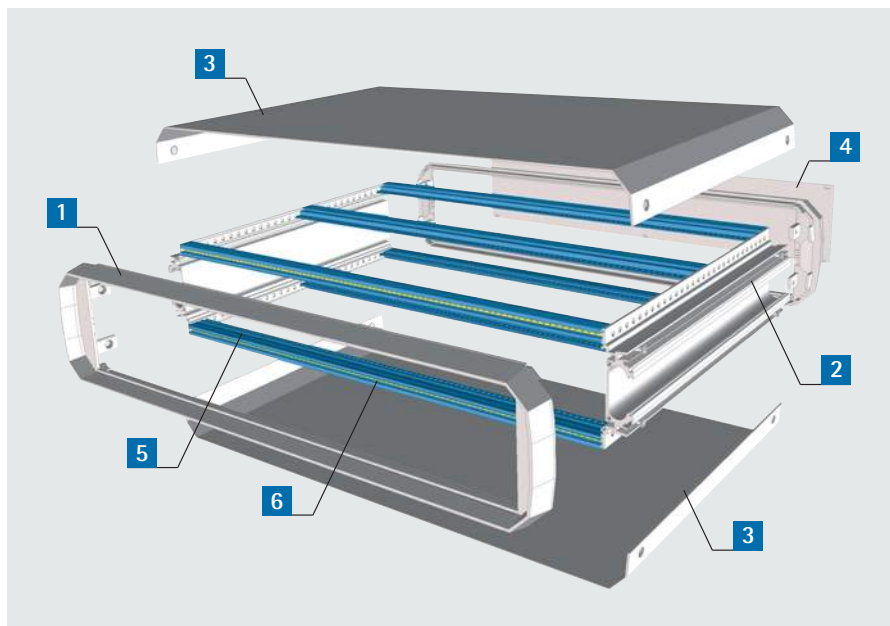
- U:** available height units
- HP:** available installing width
- W:** enclosure width
- D₁₋₅:** available enclosure depths
- d₁₋₅:** available installing depth
d₁₋₅=D₁₋₅ - 40 mm



Desktop enclosure apraLine 2 U

Delivery

Item	Pc	Description
1	2	Frame
2	2	Side panel
3	2	Top/bottom shell (ventilated/without ventilation)
4	1	Rear panel (ventilated/without ventilation)
5	6	Module rail without front projection, type 241-030
6	2	Threaded strips M 2,5
7	1 Set	Assembly material incl. 4 enclosure feet



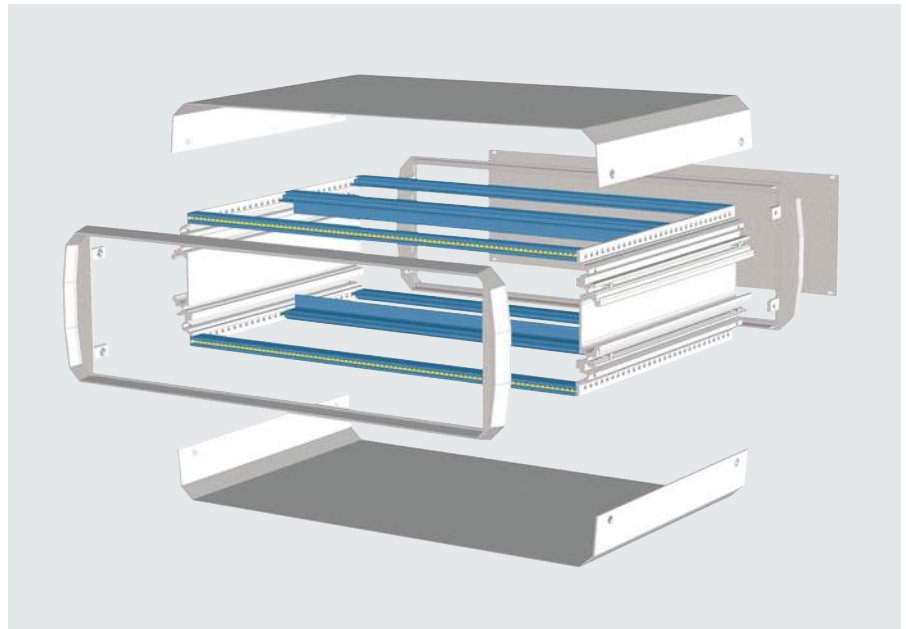
HP	D mm	Feature	Order no.
84	262	without ventilation	280-201
63			280-202
42			280-203
28			280-204
84		ventilated in rear panel and one shell	280-251
63			280-252
42			280-253
28			280-254
84	302	without ventilation	280-211
63			280-212
42			280-213
28			280-214
84		ventilated in rear panel and one shell	280-261
63			280-262
42			280-263
28			280-264



Desktop enclosure apraLine 3 U

Delivery

Item	Pc	Description
1	2	Frame
2	2	Side panel
3	2	Top/bottom shell (ventilated/without ventilation)
4	1	Rear panel (ventilated/without ventilation)
5a	4	Module rail without front projection
5b	2	Module rail with integrated mounting rail and notch, type 266-006
6	2	Threaded strips M 2,5
7	1 Set	Assembly material incl. 4 enclosure feet





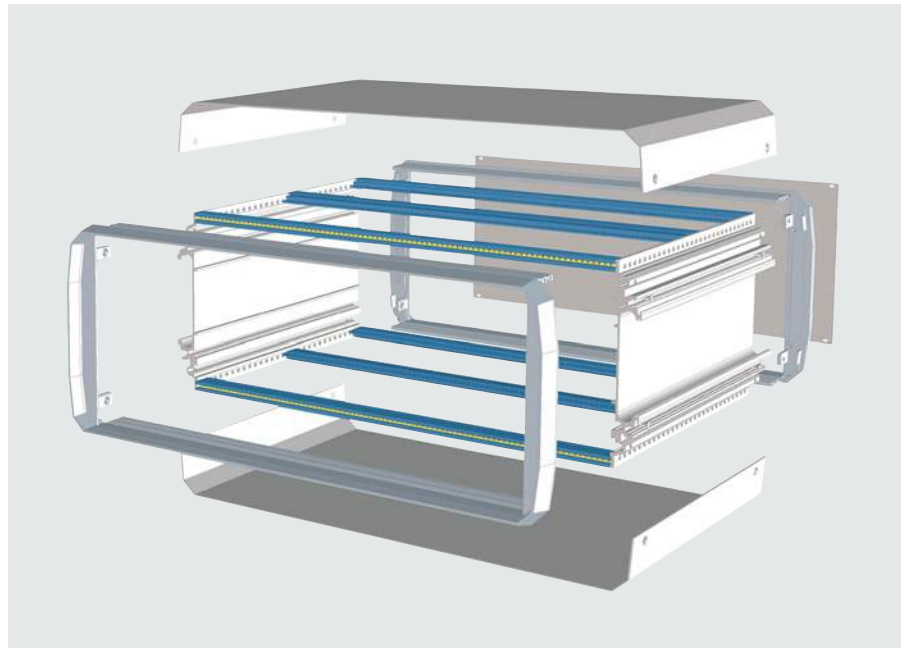
HP	D mm	Feature	Order no.
84	262	without ventilation	280-301
63			280-302
42			280-303
28			280-304
84		ventilated in rear panel and one shell	280-351
63			280-352
42			280-353
28			280-354
84	302	without ventilation	280-311
63			280-312
42			280-313
28			280-314
84		ventilated in rear panel and one shell	280-361
63			280-362
42			280-363
28			280-364
84	342	without ventilation	280-321
63			280-322
42			280-323
28			280-324
84		ventilated in rear panel and one shell	280-371
63			280-372
42			280-373
28			280-374
84	382	without ventilation	280-331
63			280-332
42			280-333
28			280-334
84		ventilated in rear panel and one shell	280-381
63			280-382
42			280-383
28			280-384
84	482	without ventilation	280-341
63			280-342
42			280-343
28			280-344
84		ventilated in rear panel and one shell	280-391
63			280-392
42			280-393
28			280-394



Desktop enclosure apraLine 4 U

Delivery

Item	Pc	Description
1	2	Frame
2	2	Side panel
3	2	Top/bottom shell (ventilated/without ventilation)
4	1	Rear panel (ventilated/without ventilation)
5a	4	Module rail without front projection, type 241-030
5b	2	Module rail Standard, type 241-022
6	2	Threaded strips M 2,5
7	1 Set	Assembly material incl. 4 enclosure feet





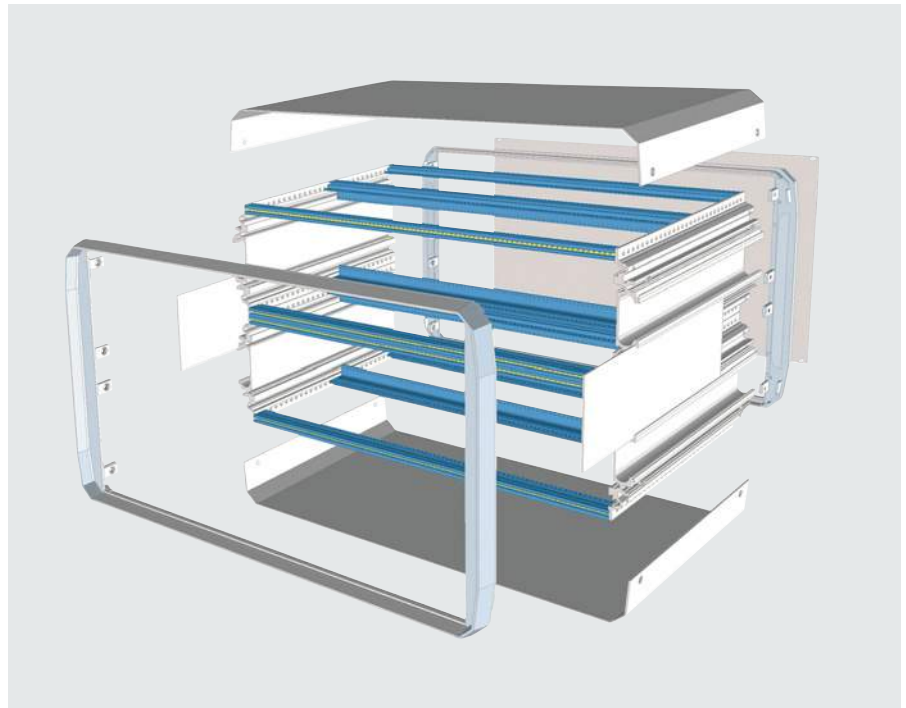
HP	D mm	Feature	Order no.
84	262	without ventilation	280-401
63			280-402
42			280-403
28			280-404
84		ventilated in rear panel and one shell	280-451
63			280-452
42			280-453
28			280-454
84	302	without ventilation	280-411
63			280-412
42			280-413
28			280-414
84		ventilated in rear panel and one shell	280-461
63			280-462
42			280-463
28			280-464
84	342	without ventilation	280-421
63			280-422
42			280-423
28			280-424
84		ventilated in rear panel and one shell	280-471
63			280-472
42			280-473
28			280-474
84	382	without ventilation	280-431
63			280-432
42			280-433
28			280-434
84		ventilated in rear panel and one shell	280-481
63			280-482
42			280-483
28			280-484
84	482	without ventilation	280-441
63			280-442
42			280-443
28			280-444
84		ventilated in rear panel and one shell	280-491
63			280-492
42			280-493
28			280-494



Desktop enclosure apraLine 6 U double row

Delivery

Item	Pc	Description
1	2	Frame
2	4	Side panel
3	2	Top/bottom shell (ventilated/without ventilation)
4	1	Rear panel (ventilated/without ventilation)
5a	4	Module rail without front projection, type 241-030
5b	4	Module rail with integrated mounting rail and notch, type 266-006
5c	2	Module rail, standard with notch, type 280-022
6	4	Threaded strips M 2,5
7	1 Set	Assembly material incl. 4 enclosure feet





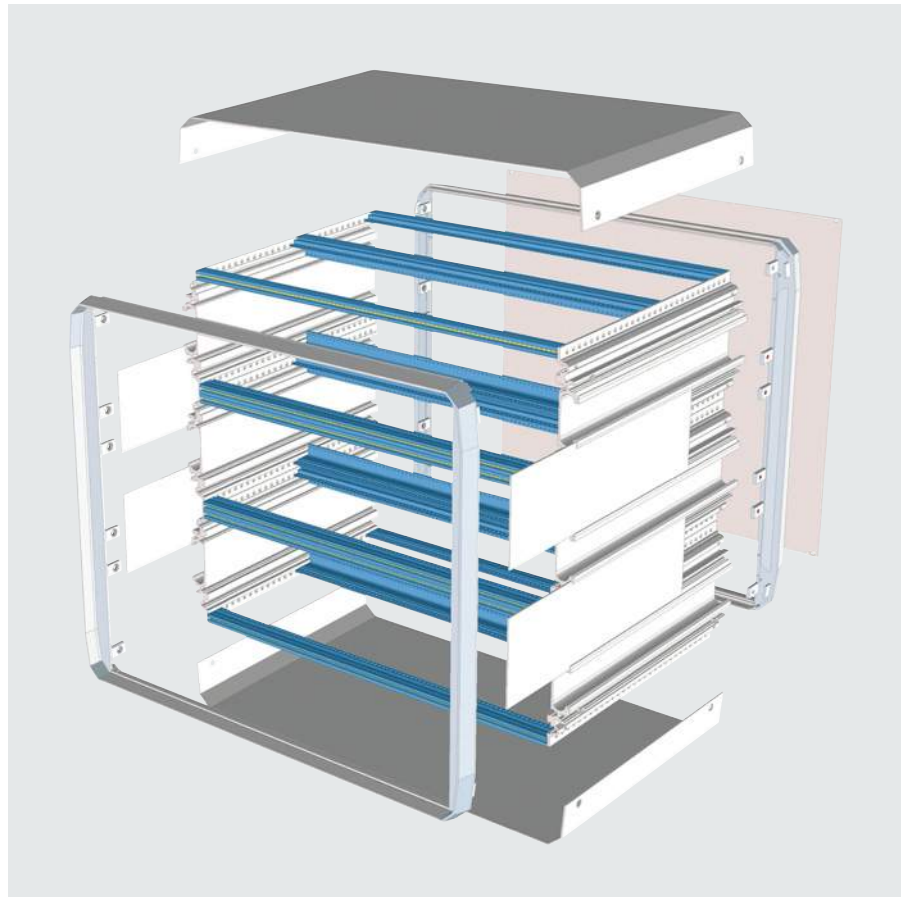
HP	D mm	Feature	Order no.
84	262	without ventilation	280-601
63			280-602
42			280-603
28			280-604
84		ventilated in rear panel and one shell	280-651
63			280-652
42			280-653
28			280-654
84	302	without ventilation	280-611
63			280-612
42			280-613
28			280-614
84		ventilated in rear panel and one shell	280-661
63			280-662
42			280-663
28			280-664
84	342	without ventilation	280-621
63			280-622
42			280-623
28			280-624
84		ventilated in rear panel and one shell	280-671
63			280-672
42			280-673
28			280-674
84	382	without ventilation	280-631
63			280-632
42			280-633
28			280-634
84		ventilated in rear panel and one shell	280-681
63			280-682
42			280-683
28			280-684
84	482	without ventilation	280-641
63			280-642
42			280-643
28			280-644
84		ventilated in rear panel and one shell	280-691
63			280-692
42			280-693
28			280-694



Desktop enclosure apraLine 9 U

Delivery

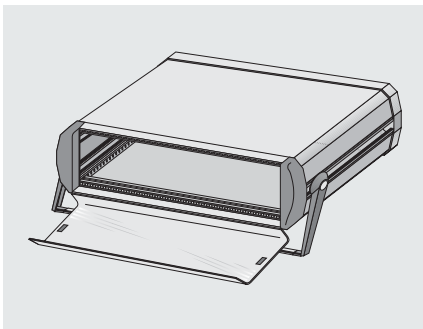
Item	Pc	Description
1	2	Frame
2	6	Side panel
3	2	Top/bottom shell (ventilated/without ventilation)
4	1	Rear panel (ventilated/without ventilation)
5a	4	Module rail without front projection, type 241-030
5b	6	Module rail with integrated mounting rail and notch, type 266-006
5c	4	Module rail, standard with notch, type 280-022
6	6	Threaded strips M 2,5
7	1 Set	Assembly material incl. 4 enclosure feet



HP	D mm	Feature	Order no.
84	262	without ventilation	280-901
		ventilated in rear panel and one shell	280-951
	302	without ventilation	280-911
		ventilated in rear panel and one shell	280-961
	342	without ventilation	280-921
		ventilated in rear panel and one shell	280-971
	382	without ventilation	280-931
		ventilated in rear panel and one shell	280-981
	482	without ventilation	280-941
		ventilated in rear panel and one shell	280-991



Front door, flip-down



Delivery

Item	Pc.	Description
1	1	Fully assembled door consists of frame, hinges and plexiglass pane
2	2	Sash fasteners

HP	U	Order no.
84	3	280-109
63		280-108
42		280-107
28	4	280-106
84		280-119
63		280-118
42	6	280-117
28		280-116
84		280-179
63		280-178

Prop-up and carrying handle

- can be used with following enclosures series: apraLine, profi-set, Zenith, Tamago
- suitable for all 3 U and 4 U enclosures
- handle can be set 30° by pressing a button to snap it into place

Material:

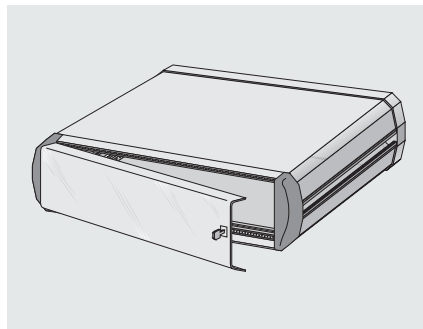
handle extrusion: aluminium extrusion
metal handle, attachments, adapter: die-cast zinc

Finish:

handle extrusion: anodised
metal handle: RAL 9011 deep black
button, screw covers: plastics, black

Load capacity: 50 kg

Front door, hinged



Delivery

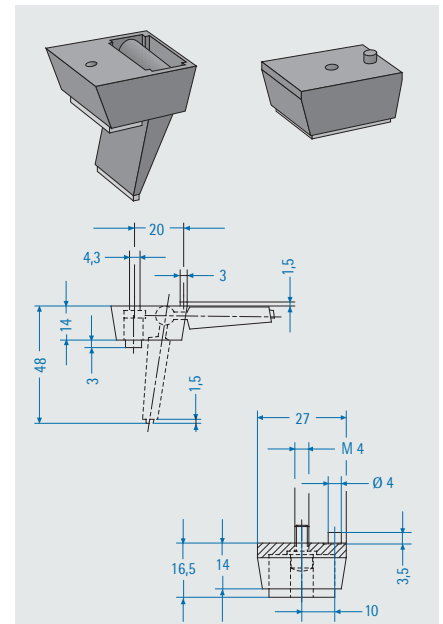
Item	Pc.	Description
1	1	Fully assembled door consists of frame, hinges and plexiglass pane
2	1	Sash fastener

HP	U	Order no.
42	3	280-102
28		280-101
42	4	280-112
28		280-111
42	6	280-172
28		280-171

Lock for hinged front door

Order no.
446-001

Prop-up and base feet set



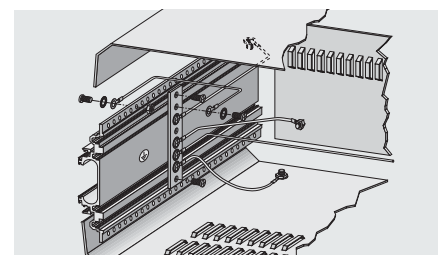
- corresponding bores need to be realised in the bottom shell
- set = 2 pairs

Delivery

Item	Pc.	Description
1	2	Prop-up feet
2	2	Rear base feet
3		Assembly material

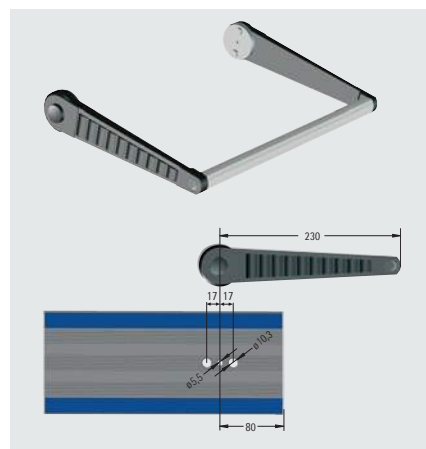
Order no.
615-019

Earth conductor set



- for earth conducting acc. to VDE

Installation height U	Order no.
3	140-033
4	140-034
6	140-036
9	140-039



HP	Order no.
42	264-100-42
63	264-100-63
84	264-100-84

Other finishes and widths available upon request.



Other desktop enclosures



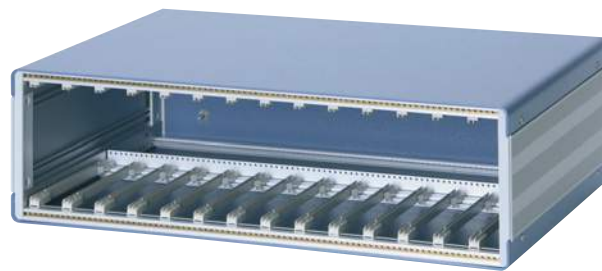
Tamago

- patented apra-lock locking system
- cover plates can be removed without tools
- also available as 19" enclosure
- flexible ventilation
- protection system IP 40/20



profi set 266

- compact construction
- big installation space with minimal exterior dimensions
- removable cover parts
- ventilated or not ventilated
- decorative aluminium extrusion side panels
- protection system IP 30/20



profi set 267

- can be used as a desktop/plug-in enclosure and subrack
- optionally cover panels, handles or 19" fixings can be mounted
- compact size
- protection system IP 30/20



Other rack and enclosure solutions from the apra group can be found here:

